



**GRAVITY-LINE™**

Rotational adjustment aligns pin movement with gravity.



**REVERSIBLE BRACKET**

For greater vertical adjustability.



**EASY-TO-SEE**

Markings for elevation and pin adjustment.



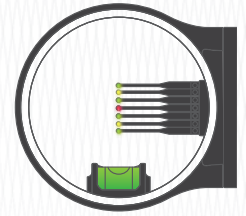
**ADJUSTABLE**

For left and right-handed users.

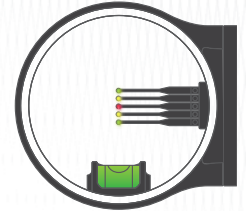


**TRU-TOUCH™**

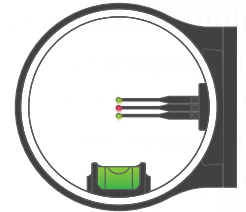
Soft-feel technical coating dampens noise and provides a comfortable touch.



**AG4817BKD**

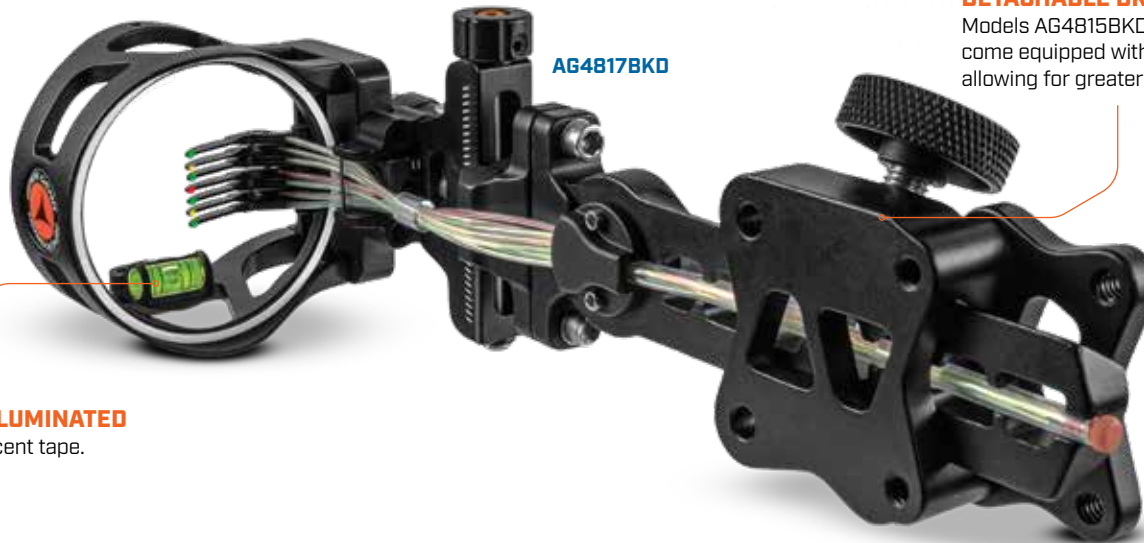


**AG4815BKD / AG4815BK / AG4815J / AG4715BK**





**AG4813BK**

**LEVEL IS ILLUMINATED**  
With luminescent tape.



**DETACHABLE BRACKET**

Models AG4815BKD and AG4817BKD come equipped with a detachable bracket allowing for greater adjustability.

MODEL						
<b>PINS</b>	7 (7x.019 in. dia.)	5 (5x.019 in. dia.)			3 (3x.019 in. dia.)	
<b>FINISH</b>		Black		Realtree®		Black
<b>CONSTRUCTION</b>	Precision machined aluminum					
<b>TRU-TOUCH™</b>	—	—	✓	✓	✓	✓
<b>MOUNT</b>	5-position detachable dovetail mount			Reversible offset mount		
<b>WEIGHT</b>	10.1 oz.		7.4 oz.		7.2 oz.	
<b>LIGHT</b>	LED light included					
<b>LEVEL</b>	Adjustable 2nd & 3rd axis					
<b>APERTURE DIA.</b>	2 in.					
<b>WINDAGE</b>	Micro-adjustable & multi-position gang adjustment				Standard & multi-position gang adjustment	
<b>ELEVATION</b>	Micro-adjustable				Standard & multi-position gang adjustment	

ALSO AVAILABLE: [AG901A](#) & [AG903A](#) Replacement Batteries [pg. 27](#)

**WARNING:** This product can expose you to chemicals including chromium, which is known to the State of California to cause cancer and birth defects or other reproductive harm. For more information go to [www.P65Warnings.ca.gov](http://www.P65Warnings.ca.gov).